

# TL7702B, TL7705B SUPPLY-VOLTAGE SUPERVISORS

SLVS037H – SEPTEMBER 1989 – REVISED JULY 1999

- Power-On Reset Generator
- Automatic Reset Generation After Voltage Drop
- $\overline{\text{RESET}}$  Output Defined From  $V_{CC} \geq 1 \text{ V}$
- Precision Voltage Sensor
- Temperature-Compensated Voltage Reference
- True and Complement Reset Outputs
- Externally Adjustable Pulse Duration

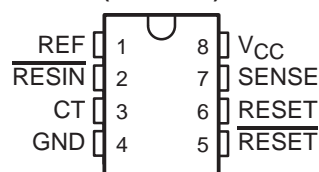
## description

The TL7702B and TL7705B are integrated-circuit supply-voltage supervisors designed for use as reset controllers in microcomputer and microprocessor systems. The supply-voltage supervisor monitors the supply for undervoltage conditions at the SENSE input. During power up, the  $\overline{\text{RESET}}$  output becomes active (low) when  $V_{CC}$  attains a value approaching 1 V. As  $V_{CC}$  approaches 3 V (assuming that SENSE is above  $V_{T+}$ ), the delay timer function activates a time delay, after which outputs  $\overline{\text{RESET}}$  and RESET go inactive (high and low, respectively). When an undervoltage condition occurs during normal operation, outputs  $\overline{\text{RESET}}$  and RESET go active. To ensure that a complete reset occurs, the reset outputs remain active for a time delay after the voltage at the SENSE input exceeds the positive-going threshold value. The time delay is determined by the value of the external capacitor  $C_T$ :  $t_d \approx 2.6 \times 10^4 \times C_T$ , where  $C_T$  is in farads (F) and  $t_d$  is in seconds (s).

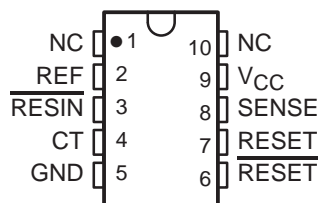
An external capacitor (typically 0.1  $\mu\text{F}$ ) must be connected to REF to reduce the influence of fast transients in the supply voltage.

The TL7702BC and TL7705BC are characterized for operation from 0°C to 70°C. The TL7702BI and TL7705BI are characterized for operation from -40°C to 85°C. The TL7705BQ is characterized for operation from -40°C to 125°C. The TL7705BM is characterized for operation from -55°C to 125°C.

TL77xxBC . . . D OR P PACKAGE  
TL7705BM . . . JG PACKAGE  
TL7705BQ . . . D PACKAGE  
(TOP VIEW)

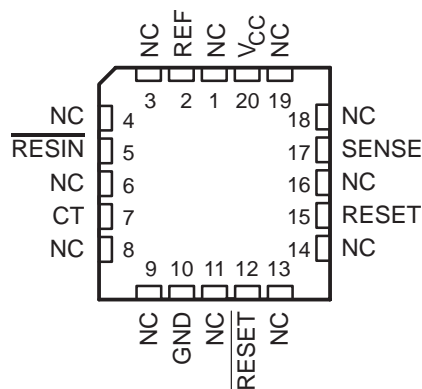


TL7705BM . . . U PACKAGE  
(TOP VIEW)



NC – No internal connection

TL7705BM . . . FK PACKAGE  
(TOP VIEW)



NC – No internal connection



Please be aware that an important notice concerning availability, standard warranty, and use in critical applications of Texas Instruments semiconductor products and disclaimers thereto appears at the end of this data sheet.

PRODUCTION DATA information is current as of publication date. Products conform to specifications per the terms of Texas Instruments standard warranty. Production processing does not necessarily include testing of all parameters.

**TEXAS  
INSTRUMENTS**

POST OFFICE BOX 655303 • DALLAS, TEXAS 75265

Copyright © 1999, Texas Instruments Incorporated  
On products compliant to MIL-PRF-38535, all parameters are tested unless otherwise noted. On all other products, production processing does not necessarily include testing of all parameters.

# TL7702B, TL7705B SUPPLY-VOLTAGE SUPERVISORS

SLVS037H – SEPTEMBER 1989 – REVISED JULY 1999

## AVAILABLE OPTIONS

T <sub>A</sub>	PACKAGED DEVICES					CHIP FORM (Y)
	SMALL OUTLINE (D)	CHIP CARRIER (FK)	CERAMIC DIP (JG)	PLASTIC DIP (P)	CERAMIC FLATPACK (U)	
0°C to 70°C	TL7702BCD	—	—	TL7702BCP	—	TL7702BY, TL7705BY
	TL7705BCD	—	—	TL7705BCP	—	
-40°C to 85°C	TL7702BID	—	—	TL7702BIP	—	
	TL7705BID	—	—	TL7705BIP	—	
-40°C to 125°C	TL7705BQD	—	—	—	—	
-55°C to 125°C	—	TL7702BMFK	TL7702BMJG	—	TL7702BMU	
	—	TL7705BMFK	TL7705BMJG	—	TL7705BMU	

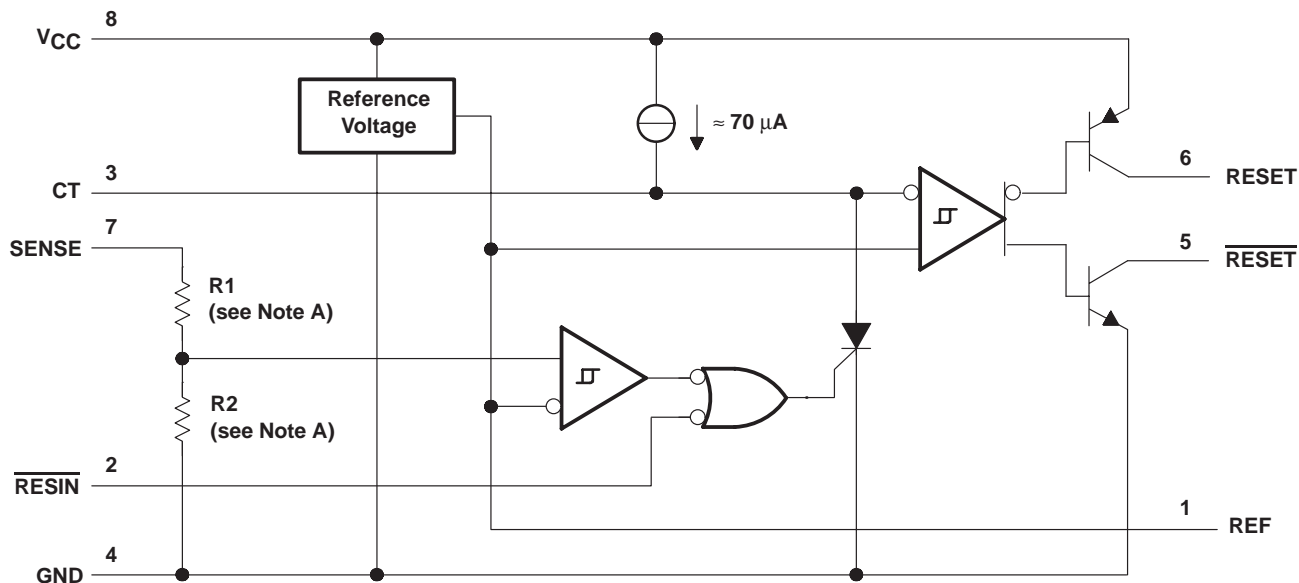
The D package is available taped and reeled. Add the suffix R to device type (e.g., TL7702BCDR). Chip forms are tested at 25°C.



POST OFFICE BOX 655303 • DALLAS, TEXAS 75265

**functional block diagram**

The functional block diagram is shown for illustrative purposes only; the actual circuit includes a trimming network to adjust the reference voltage and sense-comparator trip point.

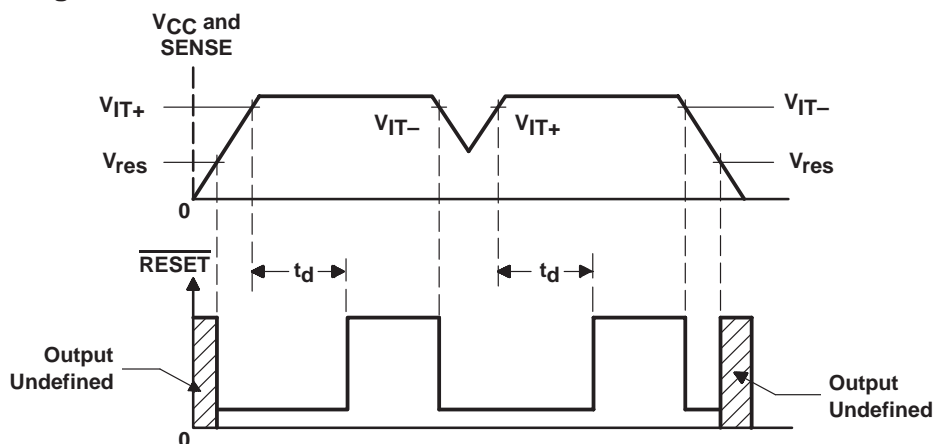


Pin numbers shown are for the D, JG, and P packages.

NOTE A: TL7702B: R1 = 0 Ω, R2 = open

TL7705B: R1 = 23 kΩ, R2 = 10 kΩ, nominal

**typical timing diagram**



# TL7702B, TL7705B SUPPLY-VOLTAGE SUPERVISORS

SLVS037H – SEPTEMBER 1989 – REVISED JULY 1999

## absolute maximum ratings over operating free-air temperature range (unless otherwise noted)†

Supply voltage, $V_{CC}$ (see Note 1)	20 V
Input voltage range, $V_I$ : $\overline{RESIN}$	-0.3 V to 20 V
SENSE	-0.3 V to 20 V
High-level output current, $I_{OH}$ ( $\overline{RESET}$ )	-30 mA
Low-level output current, $I_{OL}$ ( $\overline{RESET}$ )	30 mA
Package thermal impedance, $\theta_{JA}$ (see Notes 2 and 3): D package	97°C/W
P package	127°C/W
Case temperature for 60 seconds, $T_C$ : FK package	260°C
Lead temperature 1,6 mm (1/16 inch) from case for 60 seconds: JG or U packages	300°C
Lead temperature 1,6 mm (1/16 inch) from case for 10 seconds: D or P packages	260°C
Storage temperature range, $T_{stg}$	-65°C to 150°C

† Stresses beyond those listed under “absolute maximum ratings” may cause permanent damage to the device. These are stress ratings only, and functional operation of the device at these or any other conditions beyond those indicated under “recommended operating conditions” is not implied. Exposure to absolute-maximum-rated conditions for extended periods may affect device reliability.

- NOTES:
- All voltage values are with respect to the network ground terminal.
  - Maximum power dissipation is a function of  $T_{J(max)}$ ,  $\theta_{JA}$ , and  $T_A$ . The maximum allowable power dissipation at any allowable ambient temperature is  $P_D = (T_{J(max)} - T_A) / \theta_{JA}$ . Operating at the absolute maximum  $T_J$  of 150°C can impact reliability.
  - The package thermal impedance is calculated in accordance with JESD 51, except for through-hole packages, which use a trace length of zero.

## recommended operating conditions

		MIN	MAX	UNIT
Supply voltage, $V_{CC}$		3.6	18	V
High-level input voltage, $V_{IH}$	$\overline{RESIN}$	2	18	V
Low-level input voltage, $V_{IL}$	$\overline{RESIN}$	0	0.8	V
Input voltage, $V_I$	SENSE	0	18	V
High-level output current, $I_{OH}$	$\overline{RESET}$		-16	mA
Low-level output current, $I_{OL}$	$\overline{RESET}$		16	mA
Operating free-air temperature range, $T_A$	TL770xBC	0	70	°C
	TL770xBI	-40	85	
	TL7705BQ	-40	125	
	TL7705BM	-55	125	



electrical characteristics over recommended operating conditions (unless otherwise noted)

PARAMETER		TEST CONDITIONS†		TL77xxBC TL77xxBI TL7705BQ			UNIT
				MIN	TYP	MAX	
V <sub>OH</sub>	High-level output voltage, RESET	I <sub>OH</sub> = -16 mA		V <sub>CC</sub> -1.5			V
V <sub>OL</sub>	Low-level output voltage, RESET	I <sub>OL</sub> = 16 mA		0.4			V
V <sub>ref</sub>	Reference voltage	I <sub>ref</sub> = 500 μA, T <sub>A</sub> = 25°C		2.48	2.53	2.58	V
V <sub>IT-</sub>	Negative-going input threshold voltage at SENSE input	TL7702B	T <sub>A</sub> = 25°C	2.505	2.53	2.555	V
		TL7705B		4.5	4.55	4.6	
		TL7702B	T <sub>A</sub> = full range‡	2.48	2.53	2.58	
		TL7705B		4.45	4.55	4.65	
V <sub>hys</sub>	Hysteresis, SENSE (V <sub>IT+</sub> - V <sub>IT-</sub> )	TL7702B	V <sub>CC</sub> = 3.6 V to 18 V, T <sub>A</sub> = 25°C	10			mV
		TL7705B		30			
V <sub>res</sub> §	Power-up reset voltage	I <sub>OL</sub> at RESET = 2 mA, T <sub>A</sub> = 25°C		1			V
I <sub>I</sub>	Input current	RESIN	V <sub>I</sub> = 0.4 V to V <sub>CC</sub>	-10			μA
		SENSE	TL7702B V <sub>I</sub> = V <sub>ref</sub> to 18 V	-0.1	-2		
I <sub>OH</sub>	High-level output current, RESET	V <sub>O</sub> = 18 V, See Figure 1		50			μA
I <sub>OL</sub>	Low-level output current, RESET	V <sub>O</sub> = 0 V, See Figure 1		-50			μA
I <sub>CC</sub>	Supply current	V <sub>SENSE</sub> = 15 V, RESIN ≥ 2 V		1.8	3		mA
		V <sub>CC</sub> = 18 V, T <sub>A</sub> = full range‡		3.5			mA

† All electrical characteristics are measured with 0.1-μF capacitors connected at REF, CT, and V<sub>CC</sub> to GND.

‡ Full range is 0°C to 70°C for the C-suffix devices, -40°C to 85°C for the I-suffix devices, and -40°C to 125°C for the Q-suffix device.

§ This is the lowest voltage at which RESET becomes active.

switching characteristics, V<sub>CC</sub> = 5 V, CT open, T<sub>A</sub> = 25°C

PARAMETER	FROM (INPUT)	TO (OUTPUT)	TEST CONDITIONS	TL77xxBC TL77xxBI TL7705BQ			UNIT
				MIN	TYP	MAX	
t <sub>PLH</sub>	RESIN	RESET	See Figures 1, 2, and 3	270	500		ns
t <sub>PHL</sub>	RESIN	RESET		270	500		ns
t <sub>w</sub>	RESIN		See Figure 2	150			ns
	SENSE			100			
t <sub>r</sub>		RESET	See Figures 1 and 3	75			ns
t <sub>f</sub>				150	200		
t <sub>r</sub>		RESET		75	150		ns
t <sub>f</sub>				50			

# TL7702B, TL7705B SUPPLY-VOLTAGE SUPERVISORS

SLVS037H – SEPTEMBER 1989 – REVISED JULY 1999

## electrical characteristics over recommended operating conditions (unless otherwise noted)

PARAMETER		TEST CONDITIONS†	TL7705BM			UNIT	
			MIN	TYP	MAX	UNIT	
V <sub>OH</sub>	High-level output voltage, RESET	I <sub>OH</sub> = -16 mA	V <sub>CC</sub> -1.5			V	
V <sub>OL</sub>	Low-level output voltage, RESET	I <sub>OL</sub> = 16 mA	0.4			V	
V <sub>ref</sub>	Reference voltage	I <sub>ref</sub> = 500 μA, T <sub>A</sub> = 25°C	2.48	2.53	2.58	V	
V <sub>IT-</sub>	Negative-going input threshold voltage at SENSE input	T <sub>A</sub> = 25°C	TL7702B	2.505	2.53	2.555	V
			TL7705B	4.5	4.55	4.6	
		T <sub>A</sub> = -55°C to 125°C	TL7702B	2.48	2.53	2.58	
			TL7705B	4.45	4.55	4.65	
V <sub>hys</sub>	Hysteresis, SENSE (V <sub>IT+</sub> - V <sub>IT-</sub> )	V <sub>CC</sub> = 3.6 V to 18 V, T <sub>A</sub> = 25°C	TL7702B	10		mV	
			TL7705B	30			
V <sub>res</sub> ‡	Power-up reset voltage	I <sub>OL</sub> at RESET = 2 mA, T <sub>A</sub> = 25°C	1			V	
I <sub>I</sub>	Input current	RESIN	V <sub>I</sub> = 0.4 V to V <sub>CC</sub>			μA	
		SENSE TL7702B	V <sub>I</sub> = V <sub>ref</sub> to V <sub>CC</sub> - 1.5 V				
I <sub>OH</sub>	High-level output current, RESET	V <sub>O</sub> = 18 V	50			μA	
I <sub>OL</sub>	Low-level output current, RESET	V <sub>O</sub> = 0	-50			μA	
I <sub>CC</sub>	Supply current	V <sub>SENSE</sub> = 15 V, RESIN ≥ 2 V	1.8		3	mA	
		V <sub>CC</sub> = 18 V, T <sub>A</sub> = -55°C to 125°C			4		

† All electrical characteristics are measured with 0.1-μF capacitors connected at REF, CT, and V<sub>CC</sub> to GND.

‡ This is the lowest value at which RESET becomes active.

## switching characteristics, V<sub>CC</sub> = 5 V, CT open, T<sub>A</sub> = 25°C

PARAMETER	FROM (INPUT)	TO (OUTPUT)	TEST CONDITIONS	TL7705BM			UNIT
				MIN	TYP	MAX	
t <sub>PLH</sub>	Propagation delay time from low- to high-level output	RESIN	RESET	See Figures 1, 2, and 3	270	500*	ns
t <sub>PHL</sub>	Propagation delay time from high- to low-level output	RESIN	RESET		270	500*	
t <sub>w</sub>	Effective pulse duration	RESIN	See Figure 2	150		ns	
		SENSE		100			
t <sub>r</sub>	Rise time		RESET	See Figures 1 and 3	75*		ns
t <sub>f</sub>	Fall time				150	200*	
t <sub>r</sub>	Rise time		RESET	See Figures 1 and 3	75	150*	ns
t <sub>f</sub>	Fall time				50*		

\* On products compliant to MIL-PRF-38535, these parameters are not production tested.



# TL7702B, TL7705B SUPPLY-VOLTAGE SUPERVISORS

SLVS037H – SEPTEMBER 1989 – REVISED JULY 1999

**electrical characteristics over recommended operating conditions,  $T_A = 25^\circ\text{C}$  (unless otherwise noted)**

PARAMETER		TEST CONDITIONS†	TL7702BY TL7705BY			UNIT
			MIN	TYP	MAX	
$V_{OH}$	High-level output voltage, $\overline{\text{RESET}}$	$I_{OH} = -16 \text{ mA}$	$V_{CC} - 1.5$			V
$V_{OL}$	Low-level output voltage, $\overline{\text{RESET}}$	$I_{OL} = 16 \text{ mA}$	0.4			V
$V_{ref}$	Reference voltage	$I_{ref} = 500 \mu\text{A}$	2.48	2.53	2.58	V
$V_{IT-}$	Negative-going input threshold voltage at SENSE input	TL7702BY	2.505	2.53	2.555	V
		TL7705BY	4.5	4.55	4.6	
$V_{hys}$	Hysteresis, SENSE ( $V_{IT+} - V_{IT-}$ )	TL7702BY	10			mV
		TL7705BY	30			
$V_{res}^\ddagger$	Power-up reset voltage	$I_{OL}$ at $\overline{\text{RESET}} = 2 \text{ mA}$	1			V
$I_I$	Input current	$\overline{\text{RESIN}}$	$V_I = 0.4 \text{ V to } V_{CC}$			$\mu\text{A}$
		SENSE	TL7702BY	$V_I = V_{ref}$ to $18 \text{ V}$		
$I_{OH}$	High-level output current, $\overline{\text{RESET}}$	$V_O = 18 \text{ V}$ , See Figure 1	50			$\mu\text{A}$
$I_{OL}$	Low-level output current, $\overline{\text{RESET}}$	$V_O = 0 \text{ V}$ , See Figure 1	-50			$\mu\text{A}$
$I_{CC}$	Supply current	$V_{SENSE} = 15 \text{ V}$ , $\overline{\text{RESIN}} \geq 2 \text{ V}$	1.8	3		mA

† All electrical characteristics are measured with  $0.1\text{-}\mu\text{F}$  capacitors connected at REF, CT, and  $V_{CC}$  to GND.

‡ This is the lowest voltage at which  $\overline{\text{RESET}}$  becomes active.

**switching characteristics,  $V_{CC} = 5 \text{ V}$ , CT open,  $T_A = 25^\circ\text{C}$**

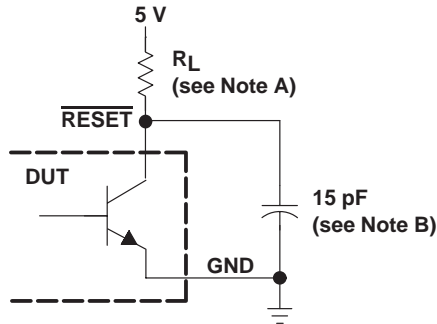
PARAMETER		FROM (INPUT)	TO (OUTPUT)	TEST CONDITIONS	TL7702BY TL7705BY			UNIT
					MIN	TYP	MAX	
$t_{PLH}$	Propagation delay time from low- to high-level output	$\overline{\text{RESIN}}$	RESET	See Figures 1, 2, and 3	270	500	ns	
$t_{PHL}$	Propagation delay time from high- to low-level output	$\overline{\text{RESIN}}$	$\overline{\text{RESET}}$		270	500		
$t_w$	Effective pulse duration	$\overline{\text{RESIN}}$		See Figure 2	150		ns	
		SENSE			100			
$t_r$	Rise time		RESET	See Figures 1 and 3	75		ns	
$t_f$	Fall time				150	200		
$t_r$	Rise time		$\overline{\text{RESET}}$		75	150	ns	
$t_f$	Fall time					50		



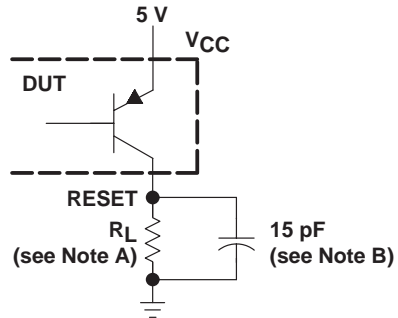
# TL7702B, TL7705B SUPPLY-VOLTAGE SUPERVISORS

SLVS037H – SEPTEMBER 1989 – REVISED JULY 1999

## PARAMETER MEASUREMENT INFORMATION



**RESET OUTPUT CONFIGURATION**



**RESET OUTPUT CONFIGURATION**

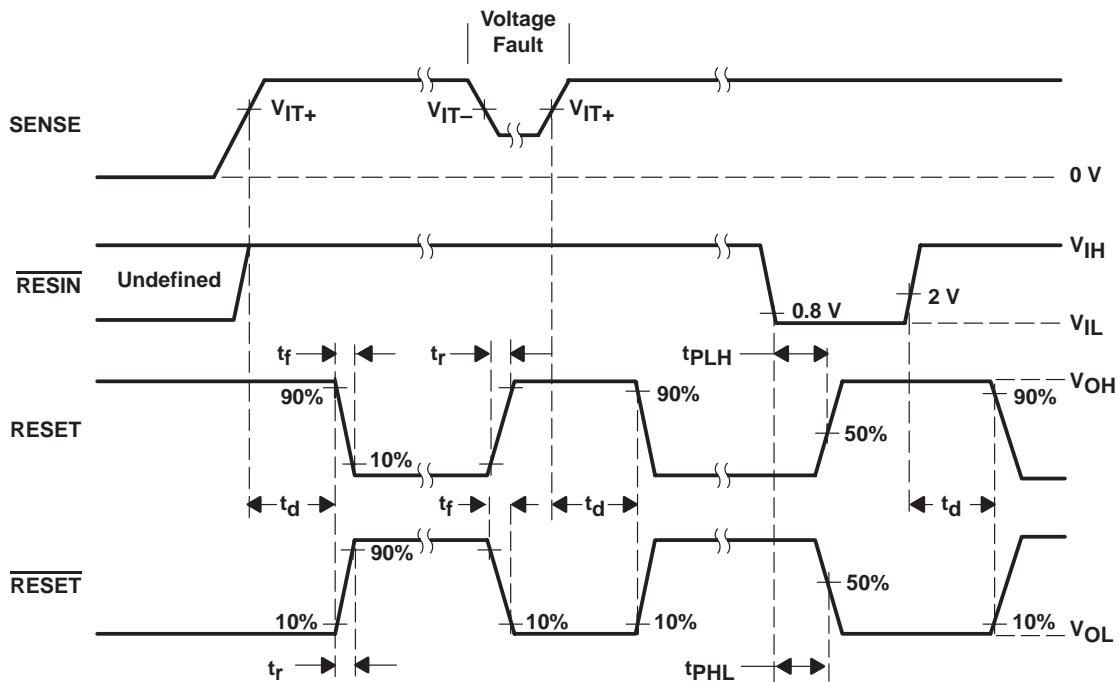
NOTES: A. For  $I_{OL}$  and  $I_{OH}$ ,  $R_L = 10\text{ k}\Omega$ . For all switching characteristics,  $R_L = 511\ \Omega$ .  
B. This figure includes jig and probe capacitance.

**Figure 1. RESET and RESET Output Configurations**



**WAVEFORMS**

**Figure 2. Input Pulse Definition**

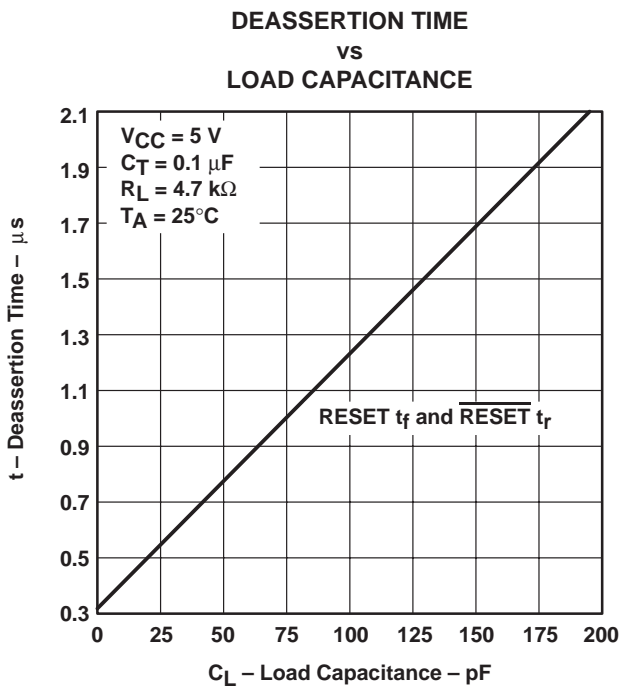
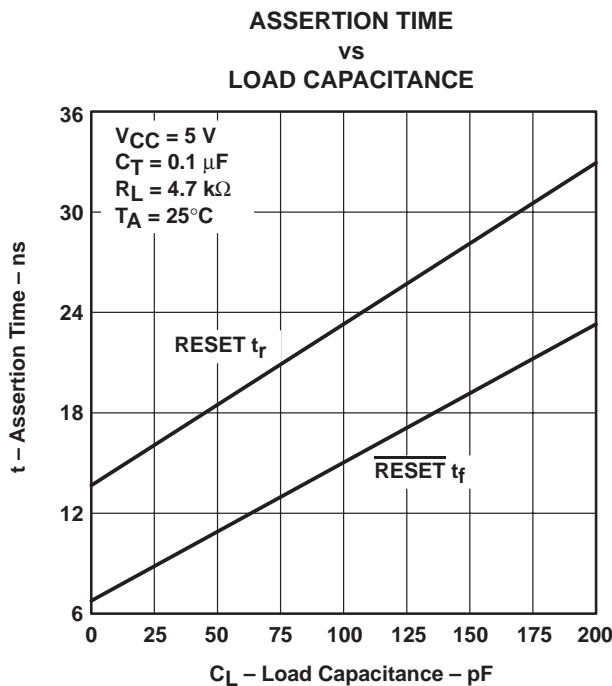
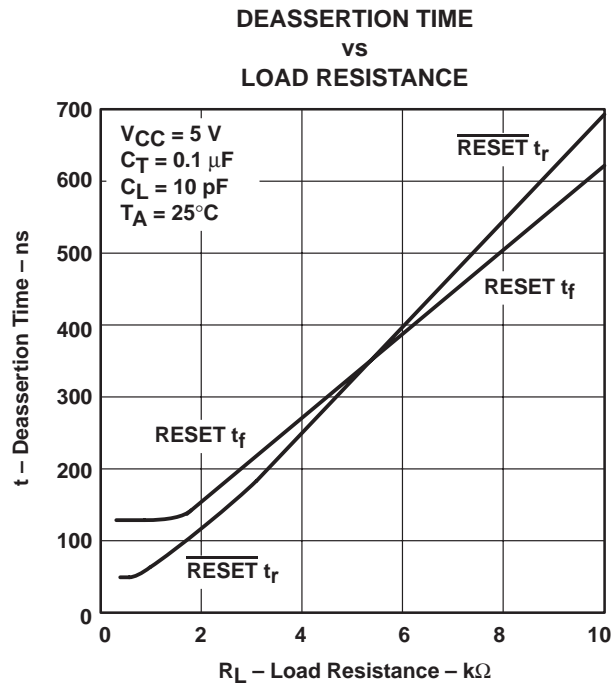
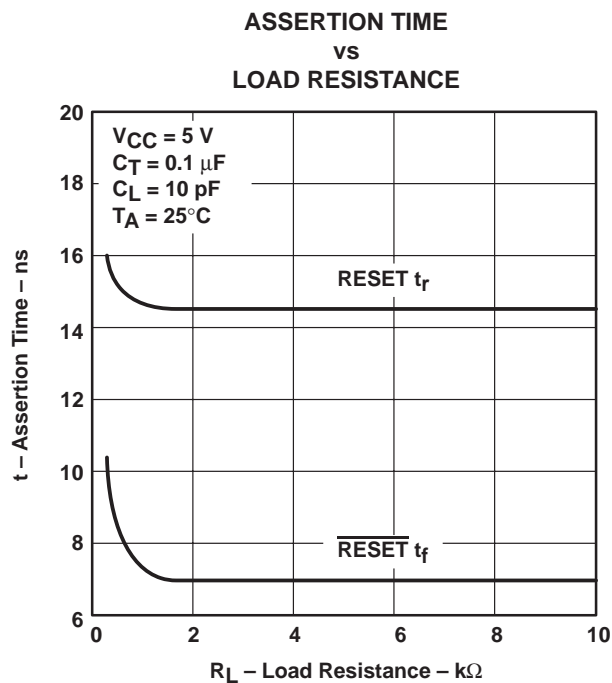


**Figure 3. Voltage Waveforms**





TYPICAL CHARACTERISTICS†

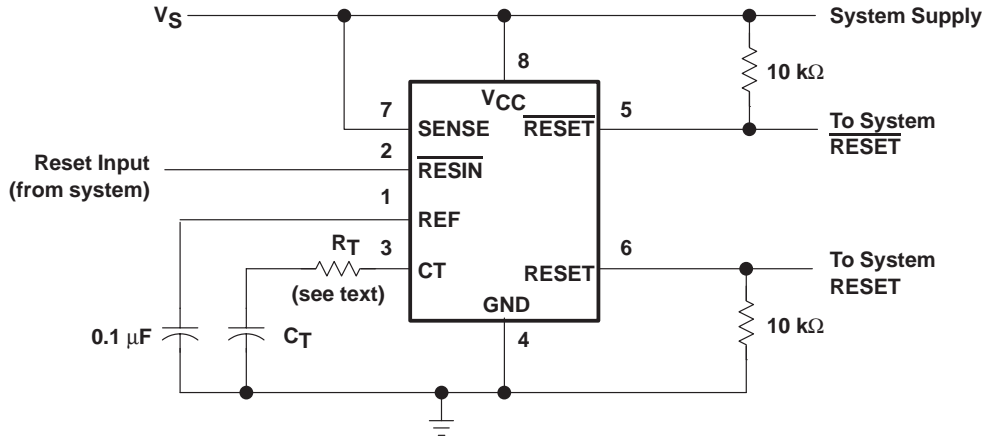


† For proper operation, both RESET and RESET should be terminated with resistors of similar value. Failure to do so may cause unwanted plateauing in either output waveform during switching.

# TL7702B, TL7705B SUPPLY-VOLTAGE SUPERVISORS

SLVS037H – SEPTEMBER 1989 – REVISED JULY 1999

## APPLICATION INFORMATION



**Figure 8. System Reset Controller With Undervoltage Sensing**

When the TL770xB SENSE terminal is used to monitor  $V_{CC}$ , a current-limiting resistor in series with  $C_T$  is recommended. During normal operation, the timing capacitor is charged by the onboard current source to approximately  $V_{CC}$  or an internal voltage clamp ( $\approx 7.1$ -V zener), whichever is less. When the circuit is then subjected to an undervoltage condition during which  $V_{CC}$  is rapidly slewed down, the voltage on CT exceeds that on  $V_{CC}$ . This forward biases a secondary path internally, which falsely activates the outputs. A fault is indicated when  $V_{CC}$  drops below  $V_{(CT)}$ , not when  $V_{SENSE}$  falls below  $V_{T-}$ .

Texas Instruments performs a 100% electrical screen to verify that the outputs do not switch with 1 mA forced into the CT terminal. Adding the external resistor,  $R_T$ , prevents false triggering. Its value is calculated as follows:

$$\frac{V_{(CT)} - V_{T-}}{R_T}$$

Where:

$$V_{(CT)} = V_{CC} \text{ or } 7.1 \text{ V, whichever is less}$$

$$V_{T-} = 4.55 \text{ V (nom)}$$

$$R_T = \text{value of series resistor required}$$

For  $V_{CC} = 5 \text{ V}$ :

$$\frac{5 - 4.55}{R_T} < 1 \text{ mA}$$

Therefore,

$$R_T > 450 \Omega$$

Using a 20% tolerance resistor,  $R_T$  should be greater than 560  $\Omega$ .

Adding this series resistor changes the duration of the reset pulse by no more than 10%.  $R_T$  extends the discharge of  $C_T$ , but also skews the  $V_{(CT)}$  threshold. These effects tend to cancel one another. The precise percentage change can be derived theoretically, but the equation is complicated by this interaction and is dependent upon the duration of the supply-voltage fault condition.

Both outputs of the TL770xB should be terminated with similar value resistors, even when only one is being used. This prevents unwanted plateauing in either output waveform during switching, which may be interpreted as an undefined state or delay system reset.

## IMPORTANT NOTICE

Texas Instruments and its subsidiaries (TI) reserve the right to make changes to their products or to discontinue any product or service without notice, and advise customers to obtain the latest version of relevant information to verify, before placing orders, that information being relied on is current and complete. All products are sold subject to the terms and conditions of sale supplied at the time of order acknowledgement, including those pertaining to warranty, patent infringement, and limitation of liability.

TI warrants performance of its semiconductor products to the specifications applicable at the time of sale in accordance with TI's standard warranty. Testing and other quality control techniques are utilized to the extent TI deems necessary to support this warranty. Specific testing of all parameters of each device is not necessarily performed, except those mandated by government requirements.

CERTAIN APPLICATIONS USING SEMICONDUCTOR PRODUCTS MAY INVOLVE POTENTIAL RISKS OF DEATH, PERSONAL INJURY, OR SEVERE PROPERTY OR ENVIRONMENTAL DAMAGE ("CRITICAL APPLICATIONS"). TI SEMICONDUCTOR PRODUCTS ARE NOT DESIGNED, AUTHORIZED, OR WARRANTED TO BE SUITABLE FOR USE IN LIFE-SUPPORT DEVICES OR SYSTEMS OR OTHER CRITICAL APPLICATIONS. INCLUSION OF TI PRODUCTS IN SUCH APPLICATIONS IS UNDERSTOOD TO BE FULLY AT THE CUSTOMER'S RISK.

In order to minimize risks associated with the customer's applications, adequate design and operating safeguards must be provided by the customer to minimize inherent or procedural hazards.

TI assumes no liability for applications assistance or customer product design. TI does not warrant or represent that any license, either express or implied, is granted under any patent right, copyright, mask work right, or other intellectual property right of TI covering or relating to any combination, machine, or process in which such semiconductor products or services might be or are used. TI's publication of information regarding any third party's products or services does not constitute TI's approval, warranty or endorsement thereof.